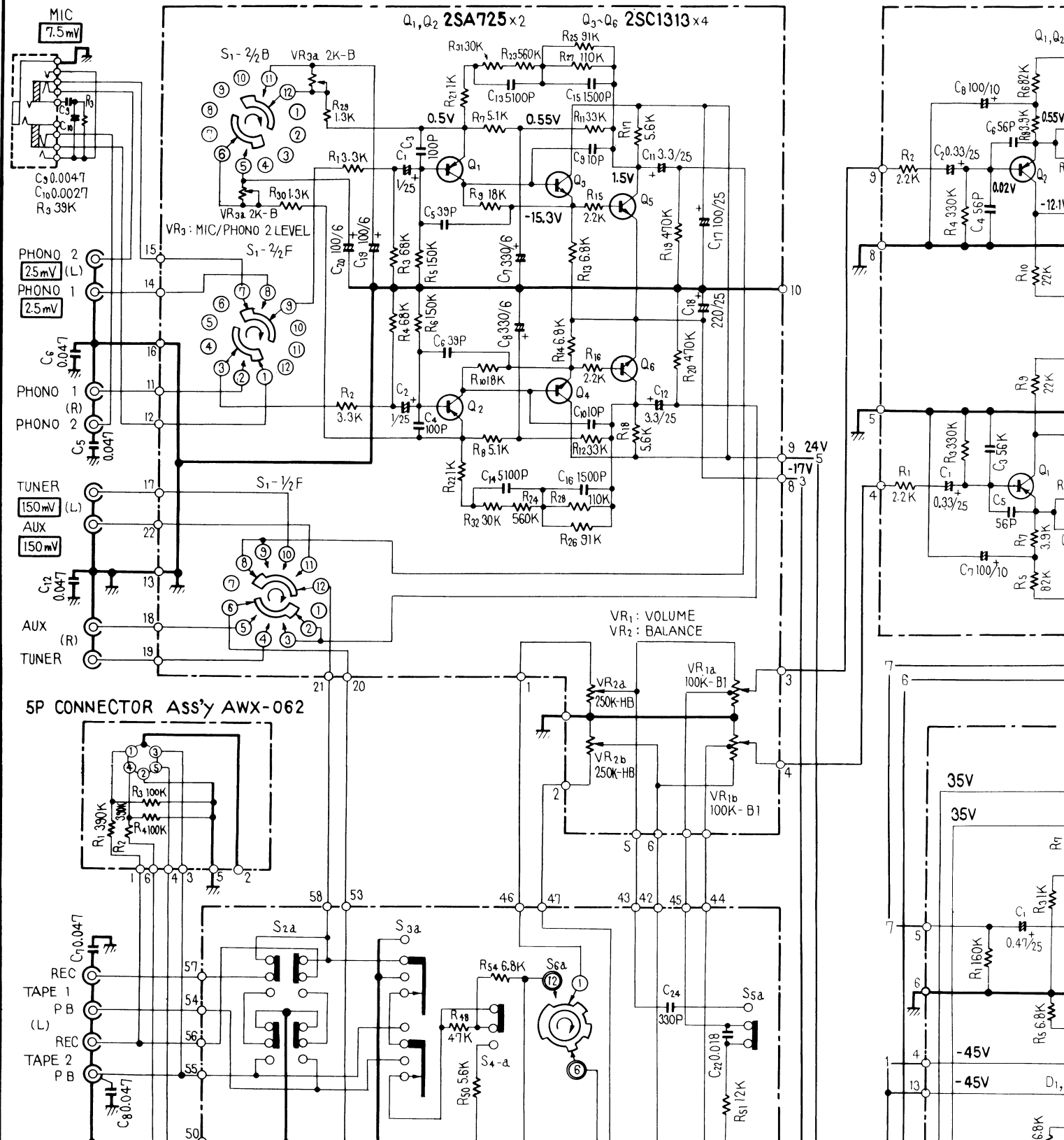
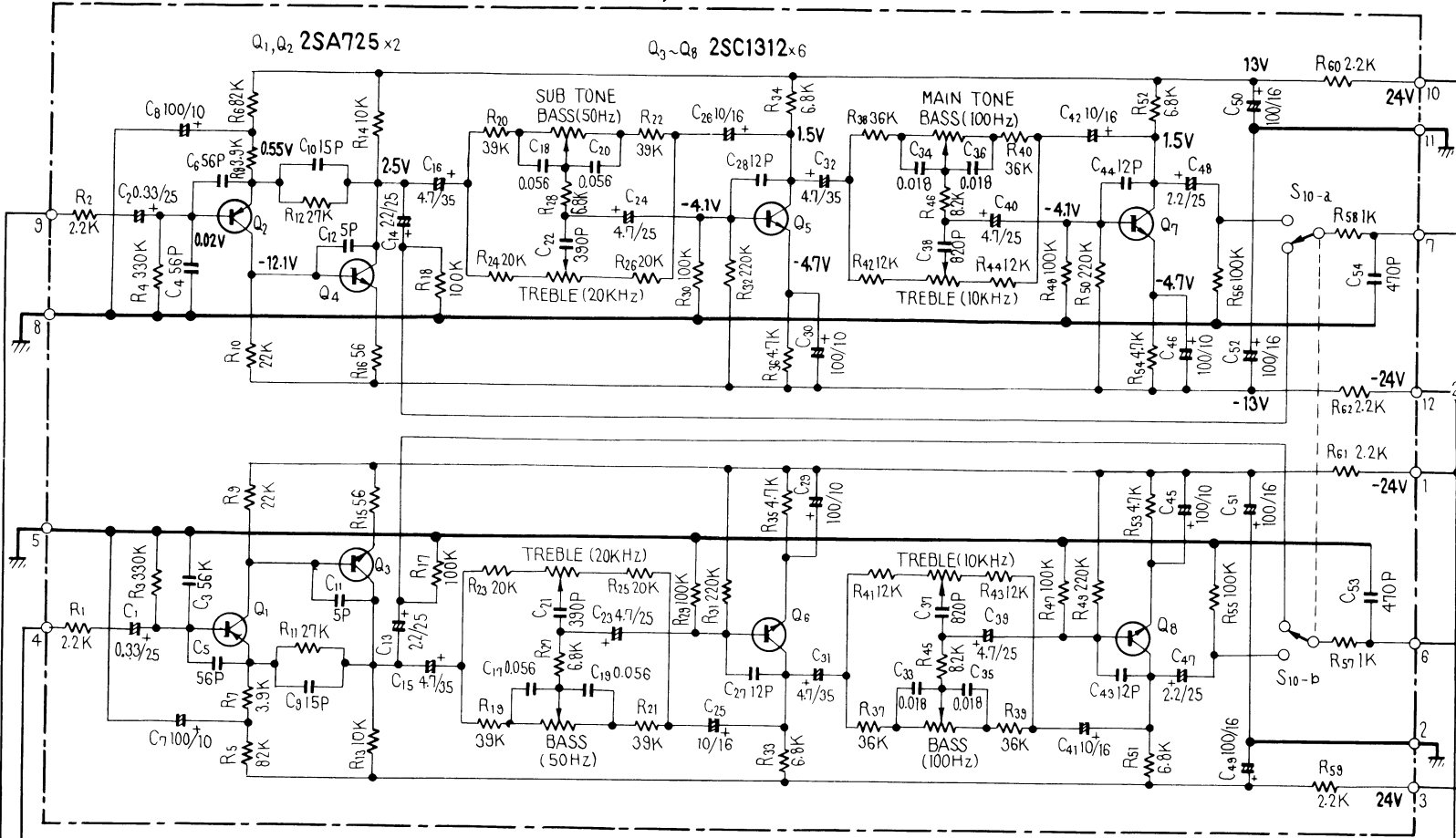


SA-8500 FV

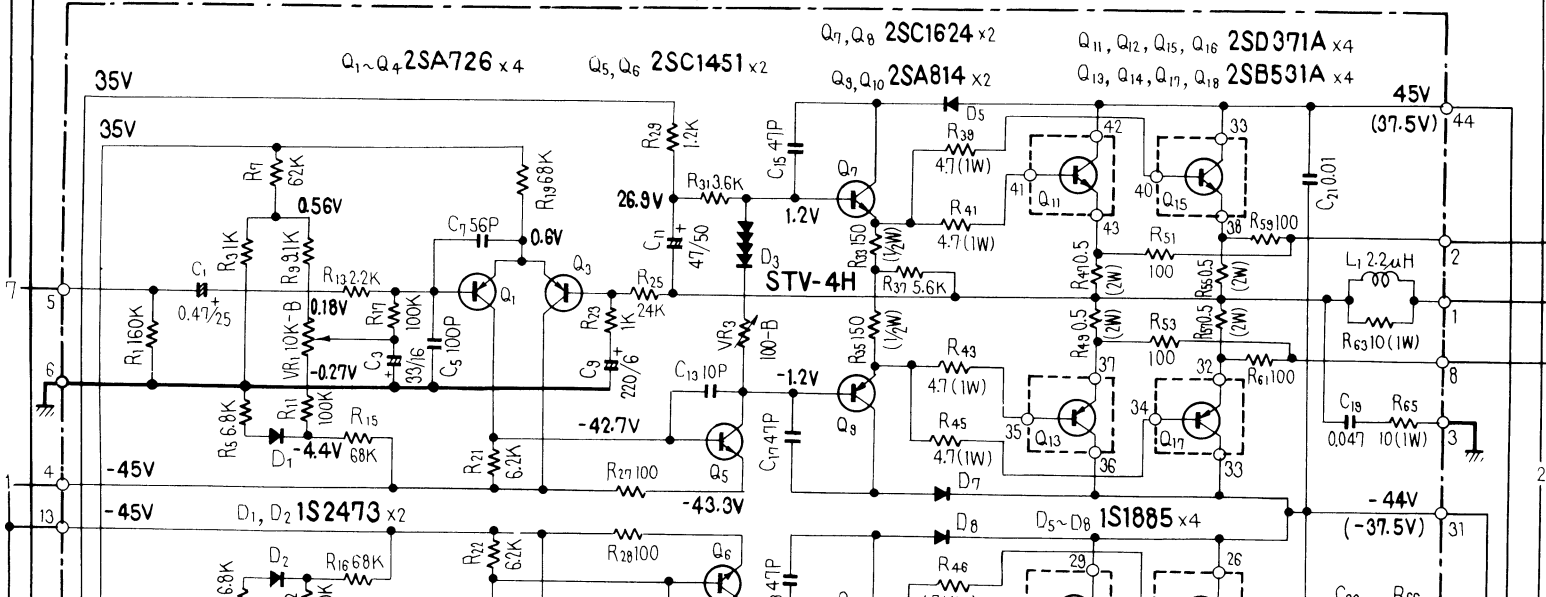
EQUALIZER AMP ASS'y AWF-016

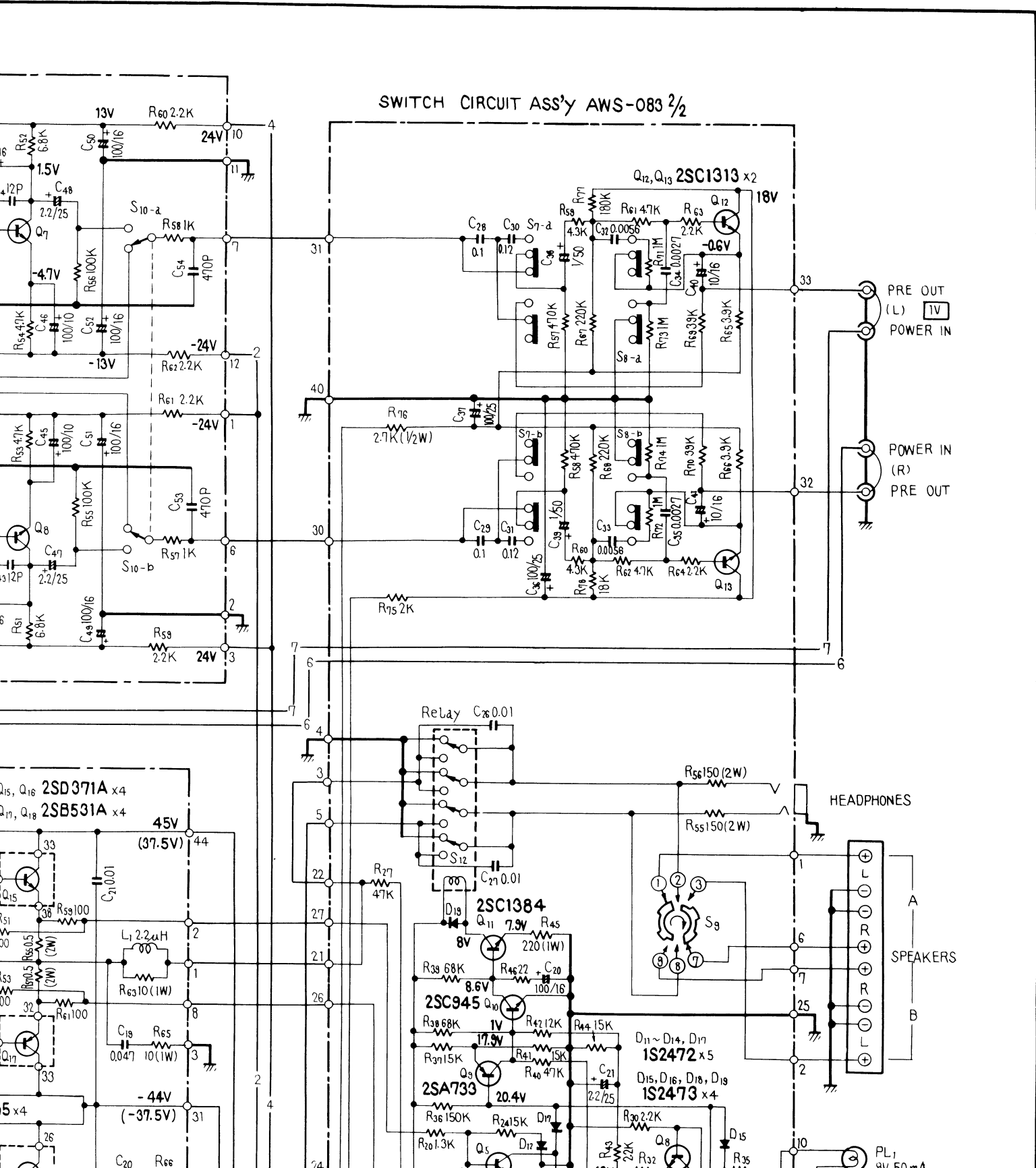


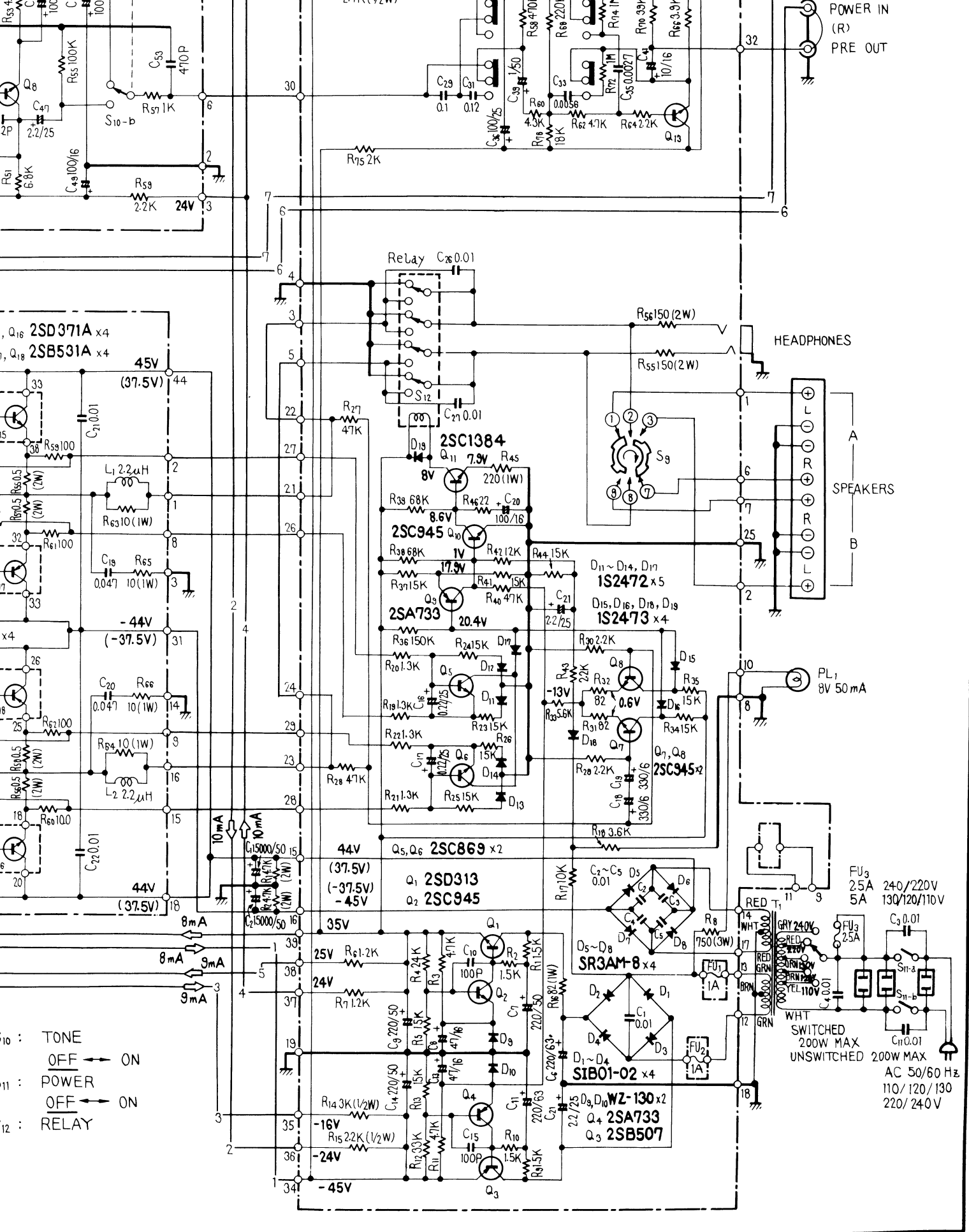
CONTROL AMP Ass'y AWG-034



POWER AMP Ass'y AWH-042







- 10 : TONE
OFF → ON
- 11 : POWER
OFF → ON
- 12 : RELAY

POWER IN (R)
PRE OUT

HEADPHONES

SPEAKERS

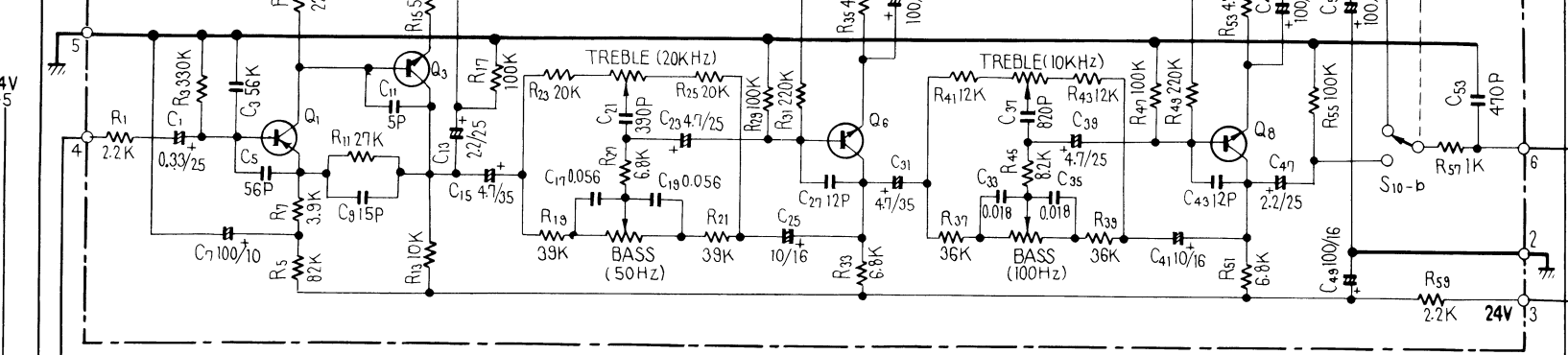
PL₁
8V 50mA

FU₃ 2.5A 240/220V
5A 130/120/110V

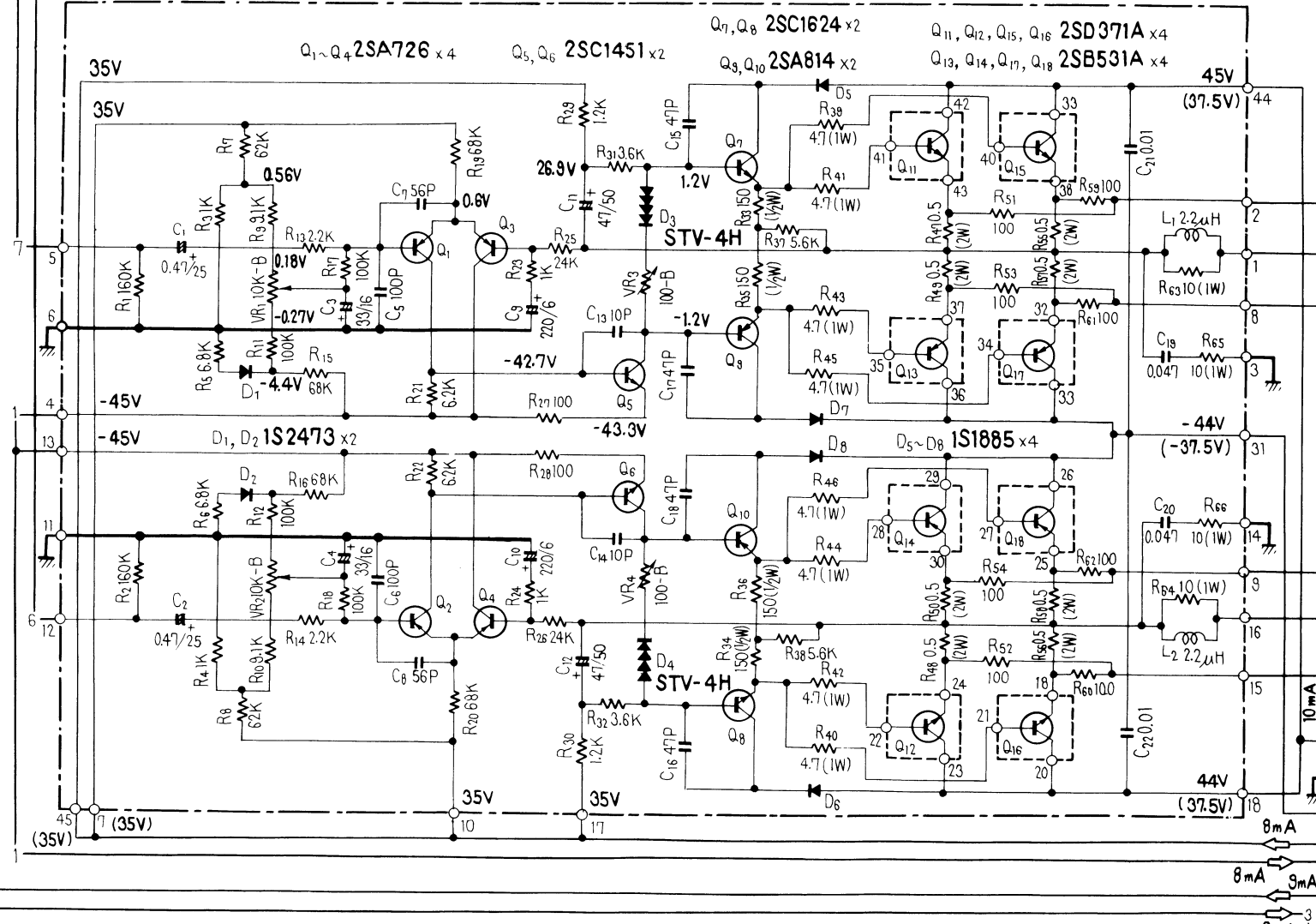
FU₁ 1A
FU₂ 1A

WHT SWITCHED 200W MAX
UNSWITCHED 200W MAX

AC 50/60 Hz
110/120/130
220/240V

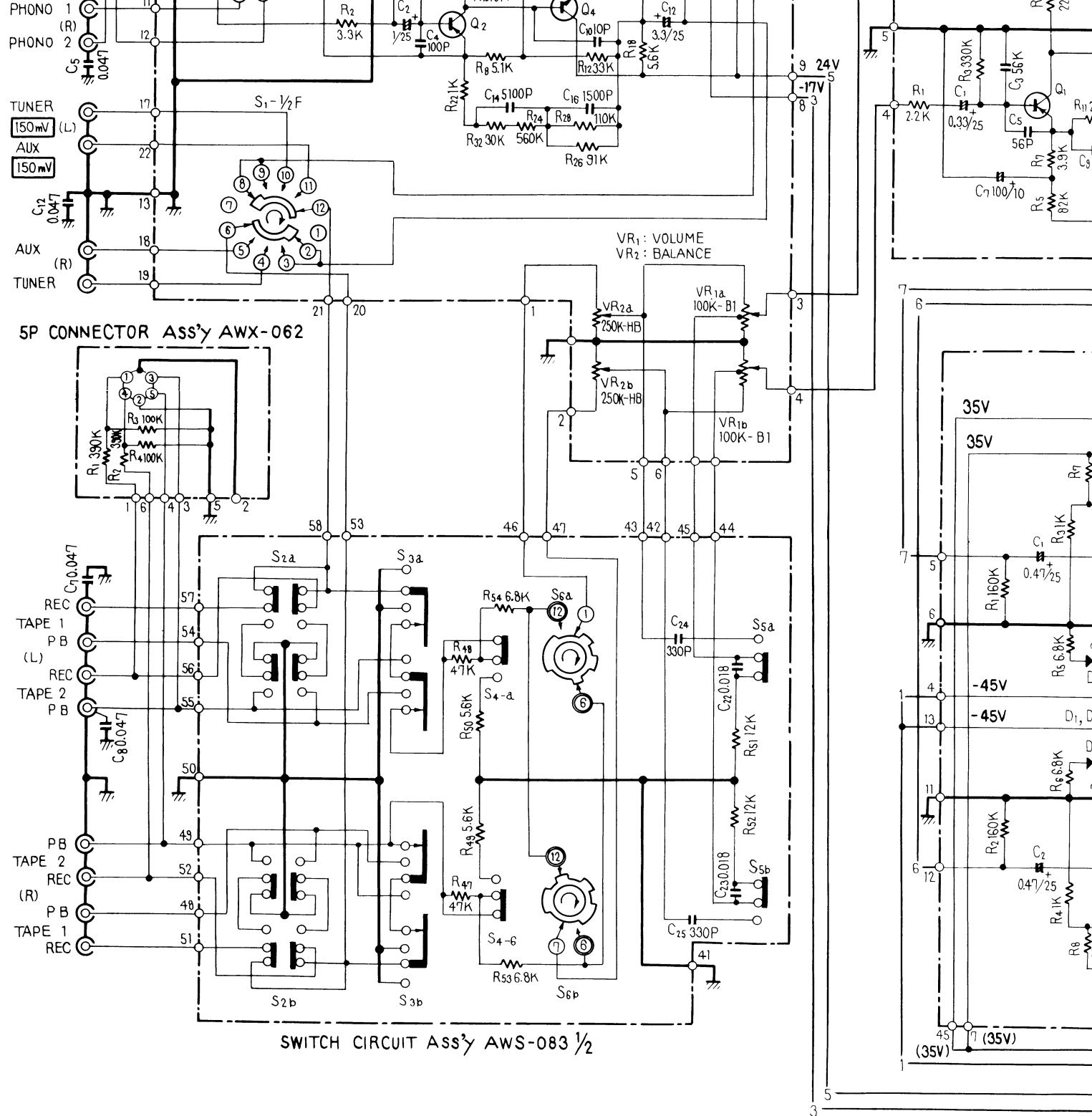


POWER AMP ASSY AWH-042



SWITCHES

- | | | | |
|-------------------------------|---------------------------|------------------------------|-------------------------|
| S ₁ : FUNCTION | S ₄ : MUTING | S ₇ : LOW FILTER | S ₁₀ : TONE |
| 1. MIC/PHONO 2 | OFF ↔ -20dB | OFF ↔ ON | OFF ↔ ON |
| 2. PHONO 1 | S ₅ : LOUDNESS | S ₈ : HIGH FILTER | S ₁₁ : POWER |
| 3. TUNER | OFF ↔ ON | OFF ↔ ON | OFF ↔ ON |
| 4. AUX | S ₆ : MODE | S ₉ : SPEAKERS | S ₁₂ : RELAY |
| S ₂ : DUPLICATE | 1. REVERSE | 1. OFF | |
| OFF ↔ ON | 2. STEREO | 2. A | |
| S ₃ : TAPE MONITOR | 3. L + R | 3. B | |
| 1. SOURCE ↔ 2. | 4. L | 4. A + B | |
| | 5. R | | |



NOTES

- V : SIGNAL VOLTAGE NECESSARY FOR OBTAINING 60W x2/8Ω OUTPUT POWER (1KHz)
- V** : DC VOLTAGE AT NO INPUT SIGNAL

RESISTORS

IN OHM, 1/4W, ±5% TOLERANCE UNLESS OTHERWISE NOTED. K : kΩ, M : MΩ

CAPACITORS

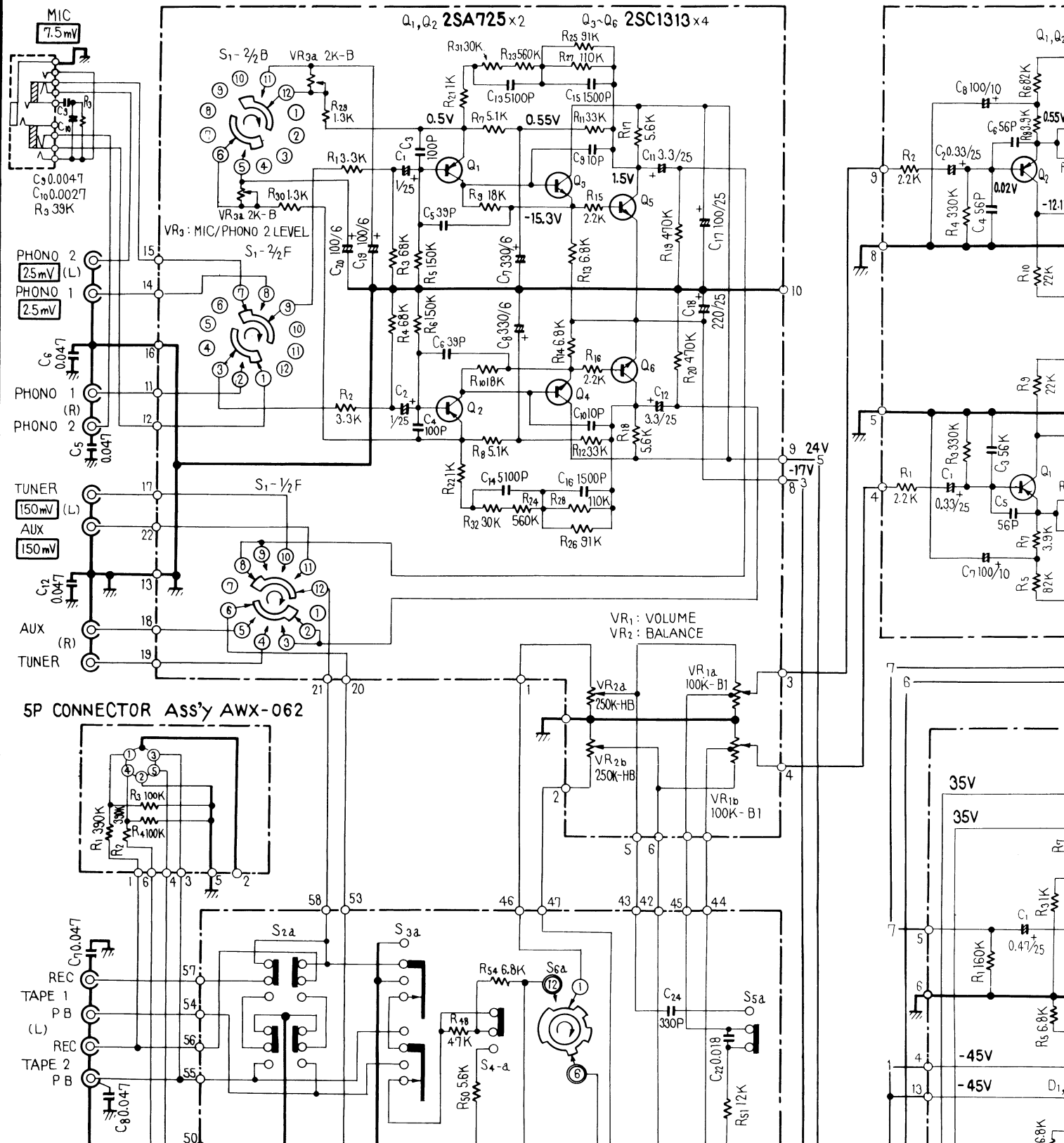
IN μF UNLESS OTHERWISE NOTED P : pF

SWITCHES

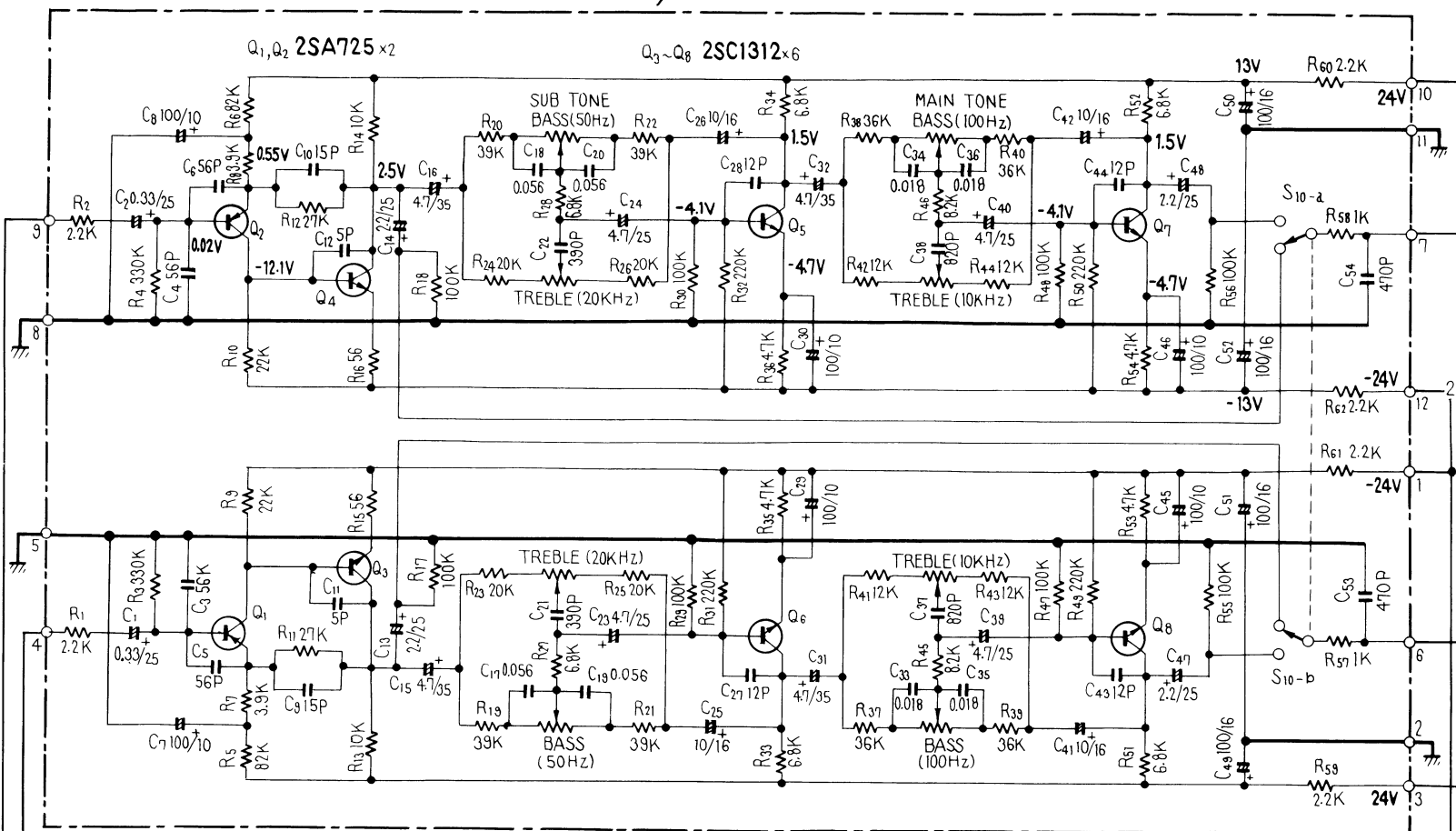
- S1 : FUNCTION
- 1. M
- 2. PH
- 3. TU
- 4. A
- S2 : DUPL
- OFF
- S3 : TAP
- 1. →

SA-8500 GN

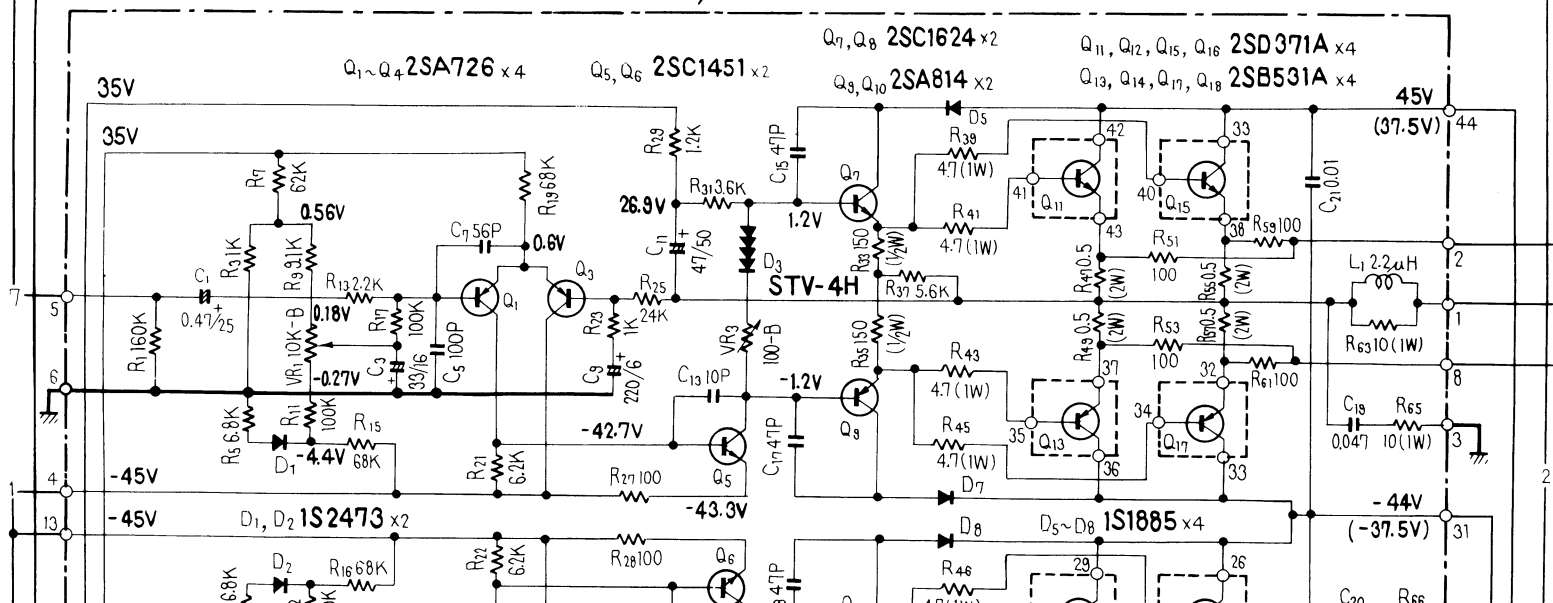
EQUALIZER AMP ASS'y AWF-016



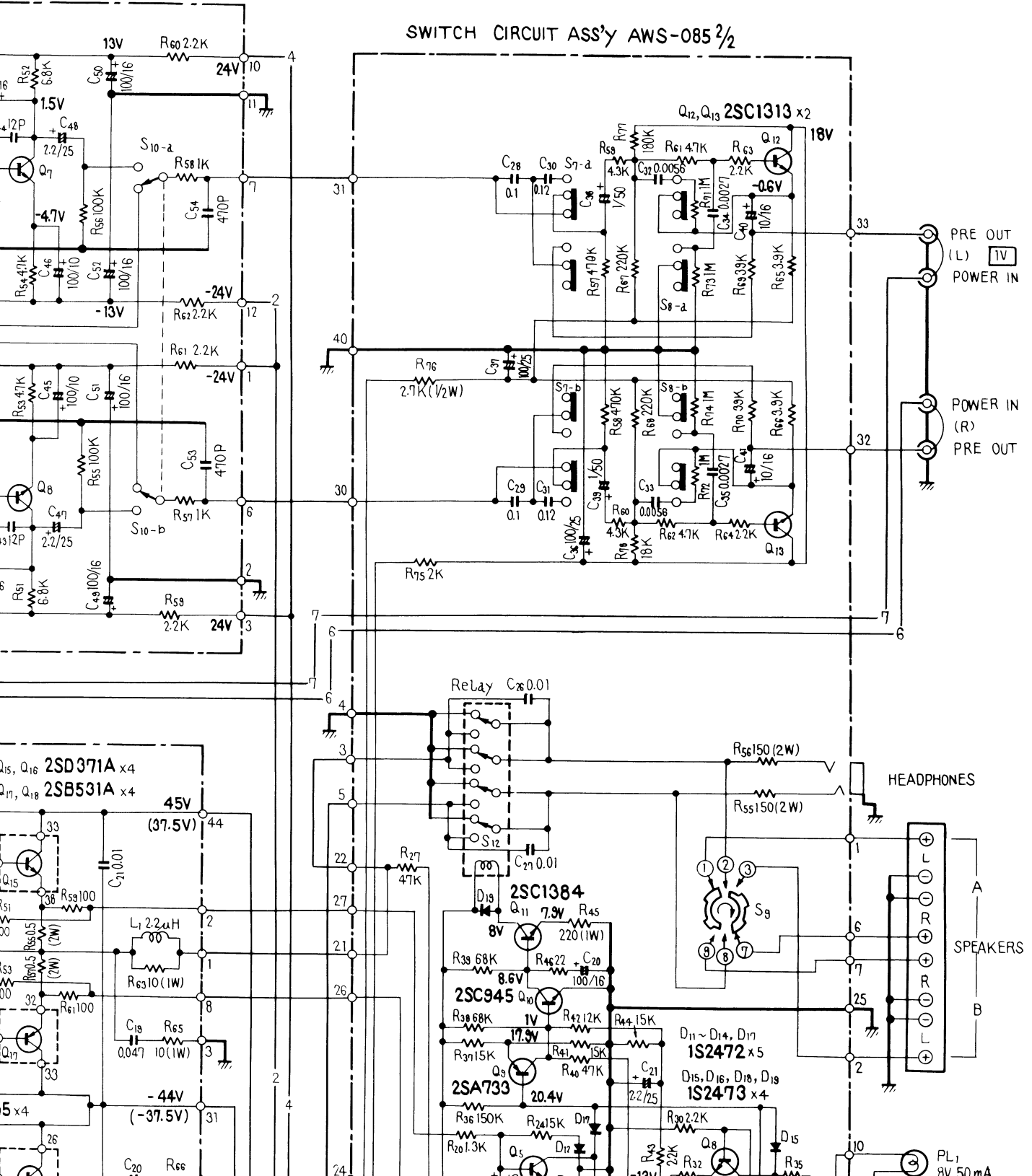
CONTROL AMP Ass'y AWG-034

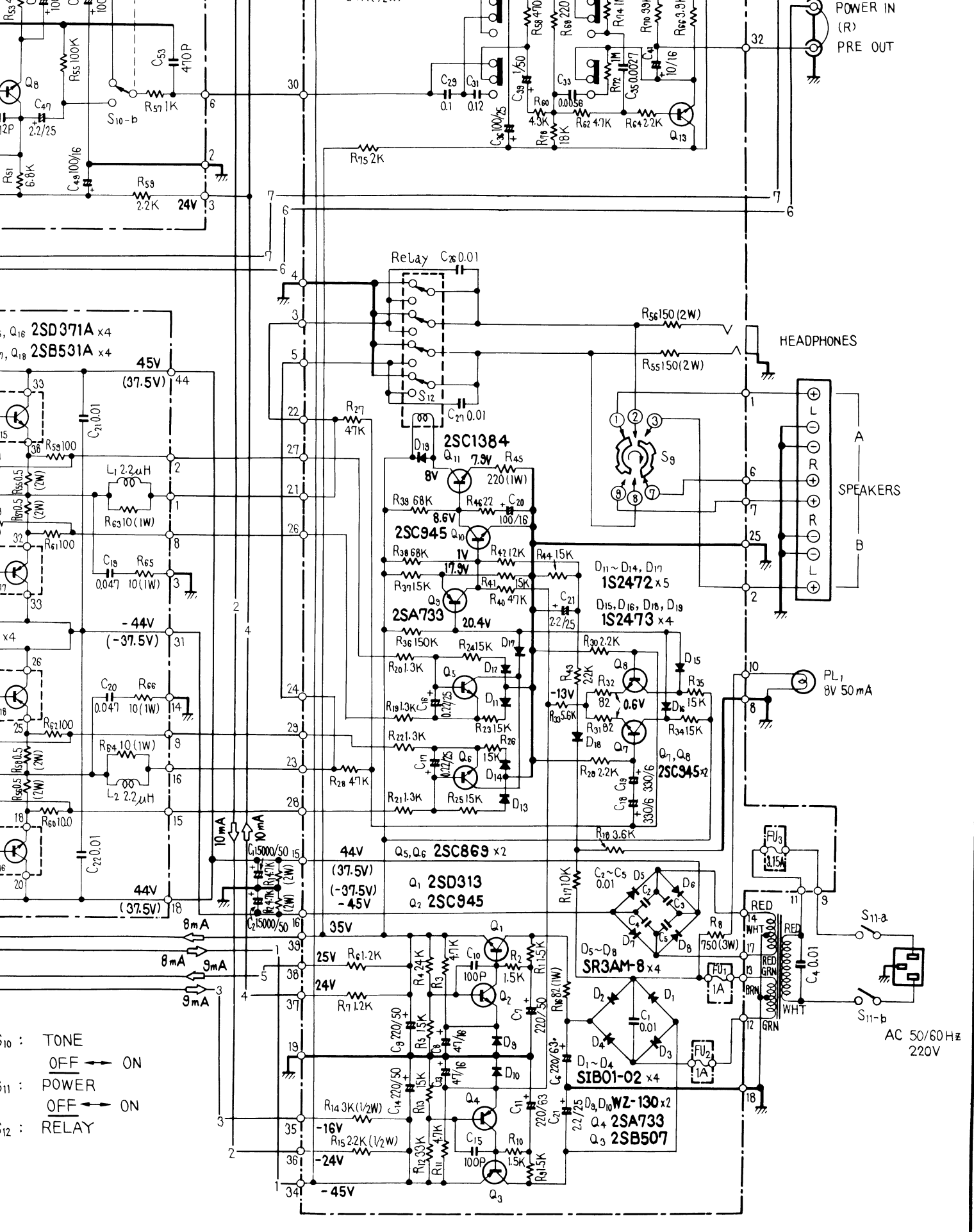


POWER AMP ASS'y AWH-042



SWITCH CIRCUIT ASS'y AWS-085 2 1/2





- 10 : TONE
OFF → ON
- 11 : POWER
OFF → ON
- 12 : RELAY

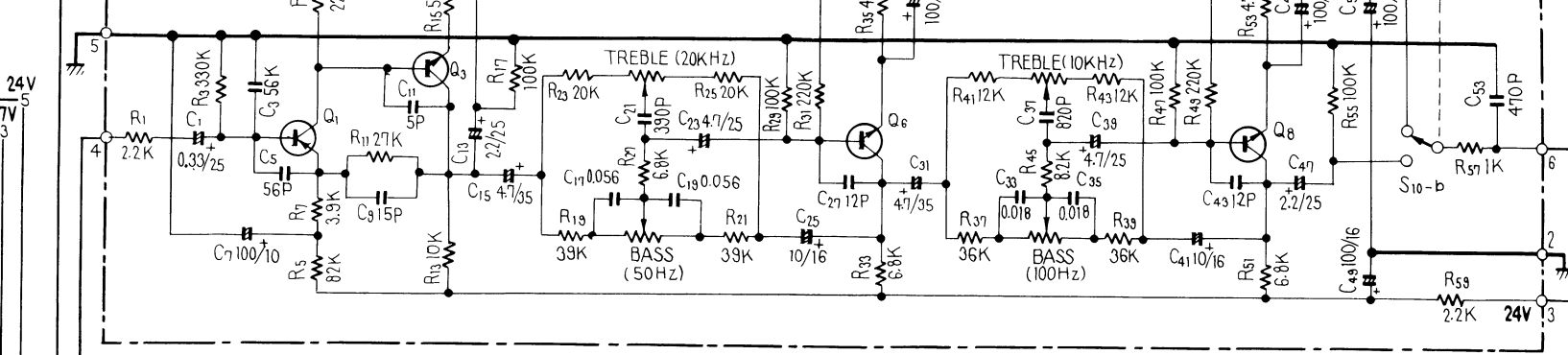
POWER IN (R)
PRE OUT

HEADPHONES

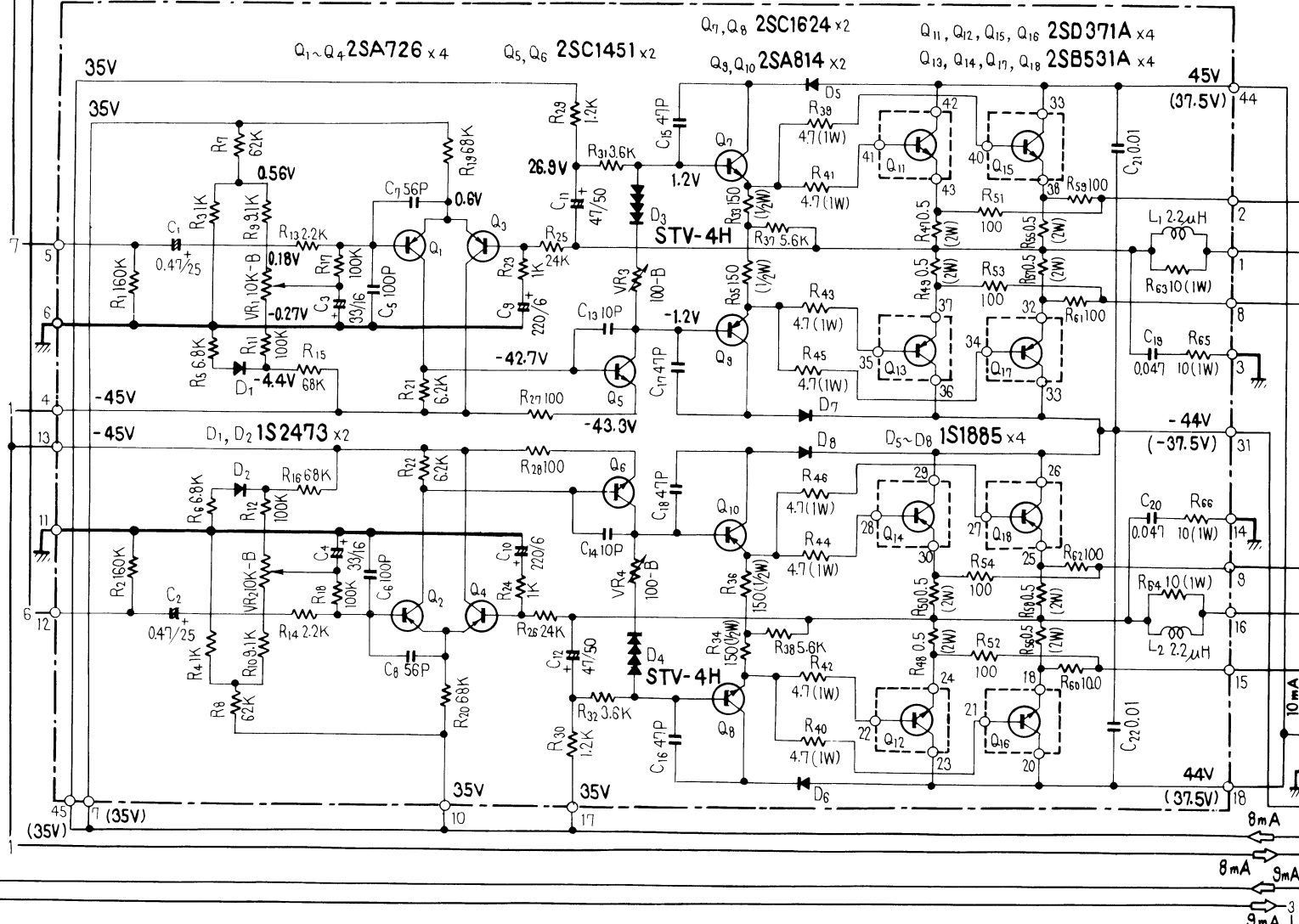
SPEAKERS
A
B

PL₁
8V 50mA

AC 50/60 Hz
220V

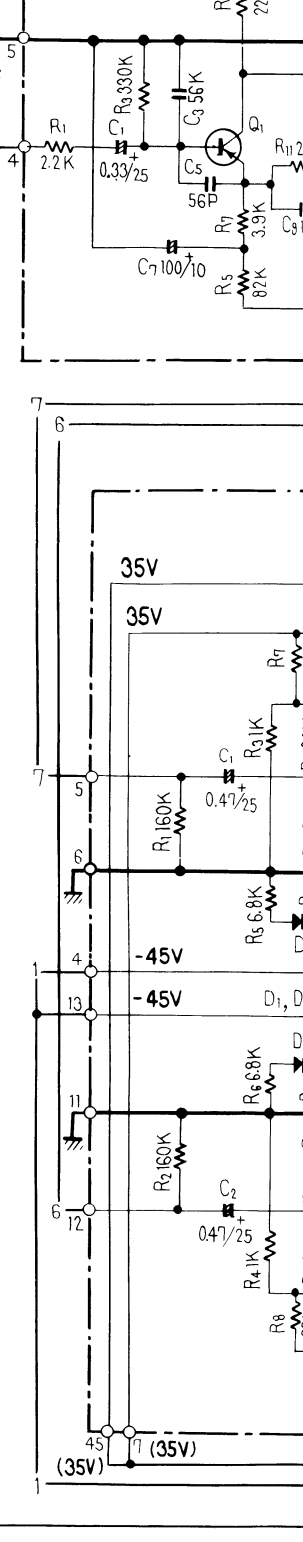
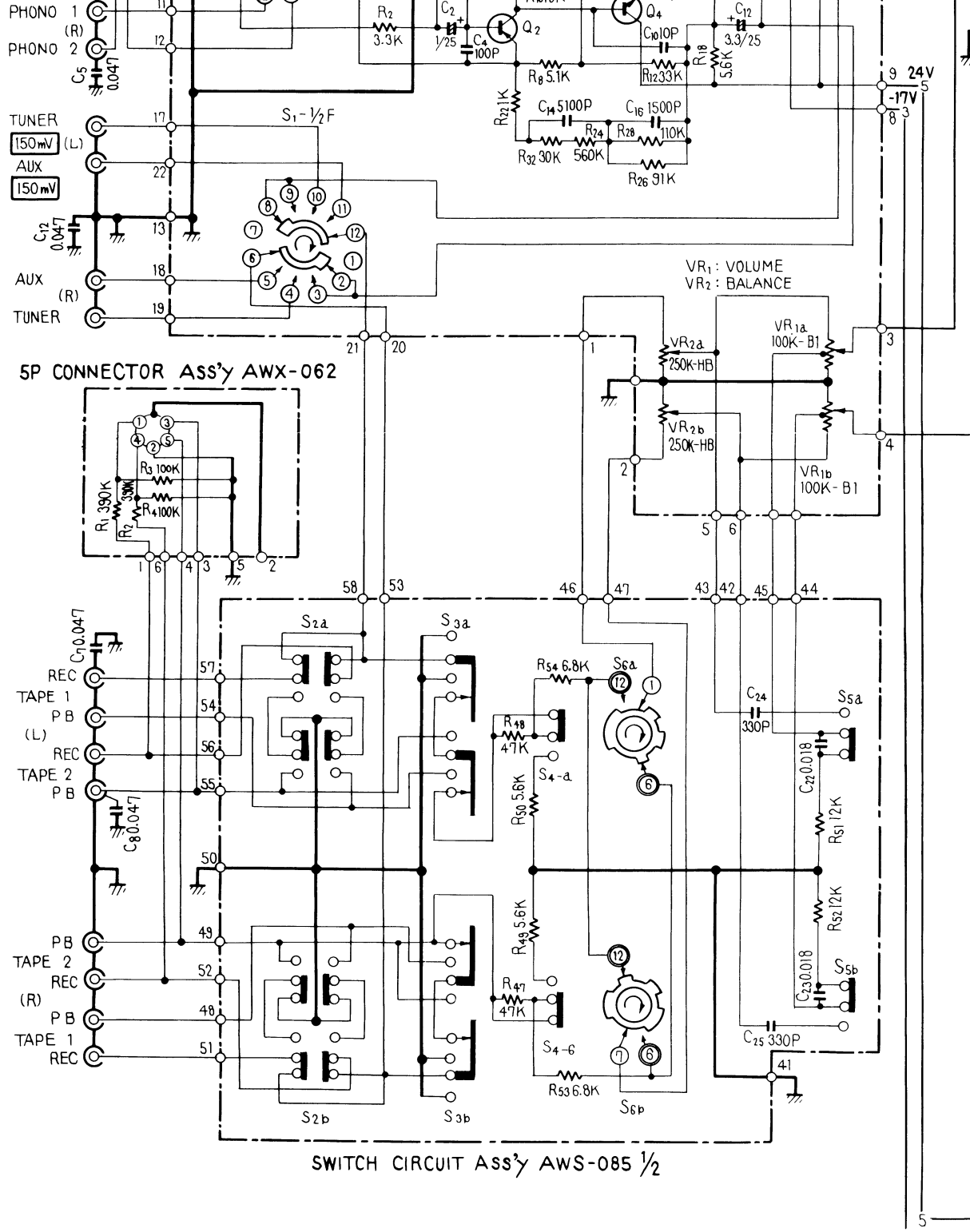


POWER AMP ASS'Y AWH-042



SWITCHES

- | | | | |
|-------------------------------|---------------------------|------------------------------|-------------------------|
| S ₁ : FUNCTION | S ₄ : MUTING | S ₇ : LOW FILTER | S ₁₀ : TONE |
| 1. MIC/PHONO 2 | OFF ↔ -20dB | OFF ↔ ON | OFF ↔ ON |
| 2. PHONO 1 | S ₅ : LOUDNESS | S ₈ : HIGH FILTER | S ₁₁ : POWER |
| 3. TUNER | OFF ↔ ON | OFF ↔ ON | OFF ↔ ON |
| 4. AUX | S ₆ : MODE | S ₉ : SPEAKERS | S ₁₂ : RELAY |
| S ₂ : DUPLICATE | 1. REVERSE | 1. OFF | |
| OFF ↔ ON | 2. STEREO | 2. A | |
| S ₃ : TAPE MONITOR | 3. L + R | 3. B | |
| 1. ↔ SOURCE ↔ 2. | 4. L | 4. A + B | |
| | 5. R | | |



NOTES

- V : SIGNAL VOLTAGE NECESSARY FOR OBTAINING 60W x2/8Ω OUTPUT POWER (1KHz)
- V** : DC VOLTAGE AT NO INPUT SIGNAL

RESISTORS

IN OHM, 1/4W, ±5% TOLERANCE UNLESS OTHERWISE NOTED. K : kΩ , M : MΩ

CAPACITORS

IN μF UNLESS OTHERWISE NOTED P : pF

SWITCHES

- S1 : FUNCTION
- 1. M
- 2. P
- 3. T
- 4. A
- S2 : DUAL
- OFF
- S3 : TAP
- 1. →